
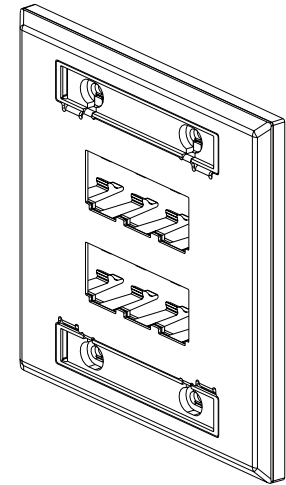
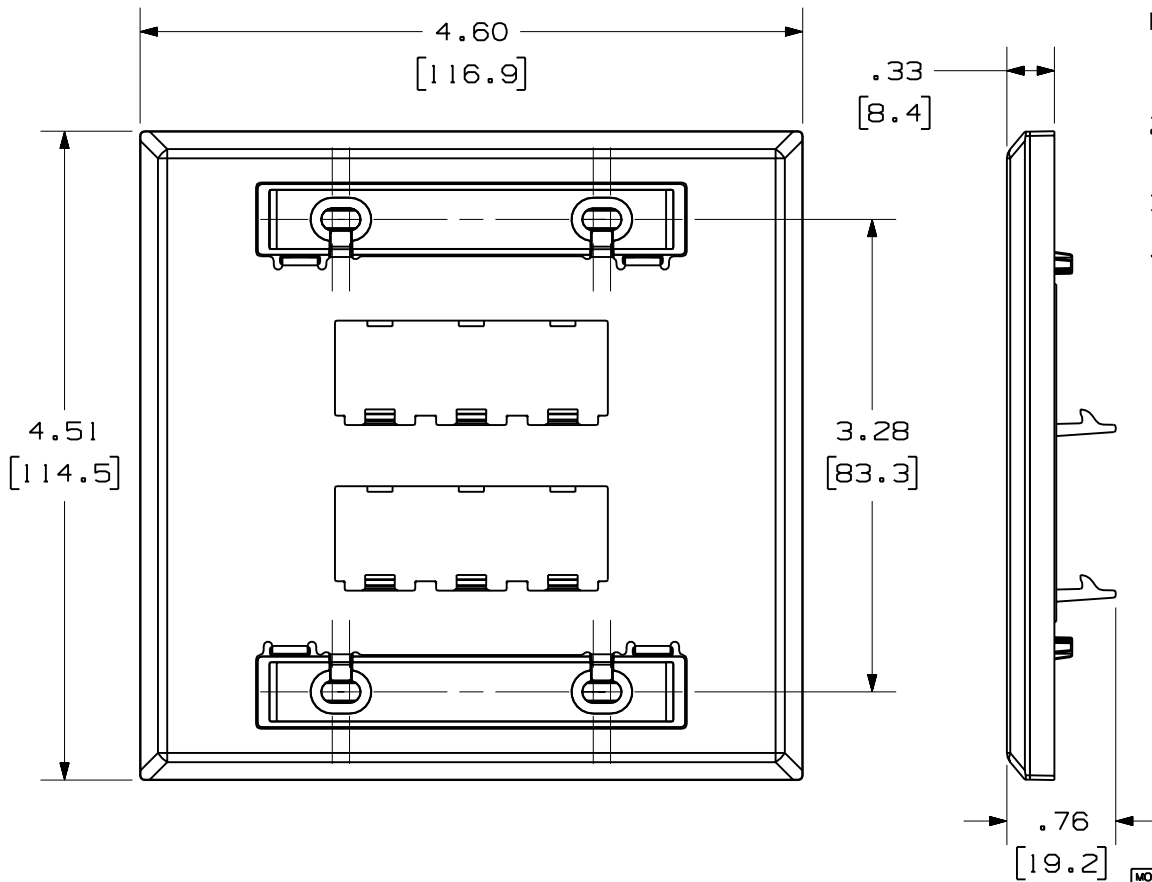


THIS COPY IS PROVIDED ON A RESTRICTED BASIS AND IS NOT TO BE USED IN ANY WAY DETRIMENTAL TO THE INTERESTS OF PANDUIT CORP.

PANDUIT P/N	WEIGHT
 CFPL6S-2GY	2.33 LB/10 PCS (1056.9g/10 PCS)


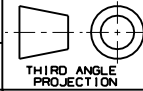

NOTES:

1. SEE CURRENT CATALOG FOR ADDITIONAL PART NUMBER SUFFIXES TO INDICATE COLOR AND OR PACKAGE QUANTITY.
2. SEE CATALOG FOR COMPLETE LIST OF PARTS APPLICABLE FOR USE WITH THIS PART.
3. DIMENSIONS IN PARENTHESES ARE IN METRIC.
4. PART INCLUDES:
 - 1- FACEPLATE
 - 4- #6-32 X 1" MOUNTING SCREWS
 - 2- LABEL
 - 2- LABEL COVER



MODEL FILENAME	M02093AM_CFPL6S-2G_00.PRT	SIZE	A
DRAWING FILENAME	M02093AM_DC_00B.PRT		

MINI-COM 6 POSITION STAINLESS STEEL
DOUBLE GANG FACEPLATE WITH LABEL
CUSTOMER DRAWING

 PANDUIT ™ CORP. TINLEY PARK, ILL 60477	I.I. NUMBER	N/A
	PRODUCT SPEC	N/A
 THIRD ANGLE PROJECTION	WORK INSTRUCTION	N/A
	SCALE	NONE
DRAWN BY JsP	MATERIAL:	PART NO.  CFPL6S-2GY
DATE 6-15-05	FACEPLATE- STAINLESS STEEL BACKING- ABS	DRAWING NO. 02093-24
CHK'D JCO		

REV	DATE	BY	CHK	DESCRIPTION	ECN	R	CUST	SUP	OTH
I	11-30-06	JsP		A. ADDED THE "Y" TO THE PART NUMBER.	02093-24				
R	9-18-06	JsP	JCO	RELEASED TO PRODUCTION	02093-24				